

Pedestrian stacker truck 1.4 ton

BT staxio

P-series

SPE140S



Pedestrian stacker straddle version

Specification for stacker trucks					SPE140S
Identification	1.1	Manufacturer			BT
	1.2	Model			SPE140S
	1.3	Drive			Electric
	1.4	Operator type			Stand on/pedestrian
	1.5	Load capacity/rated load	Q	kg	1400
	1.6	Load centre	c	mm	600
	1.8	Load distance, centre of support arm wheel to face of forks	x	mm	758
	1.9	Wheelbase	y	mm	1454
	Weight	2.1	Service weight including battery		kg
2.2		Axle load, with load, drive/castor/ support arm wheel		kg	550/610/1779
2.3		Axle load, without load, drive/castor/ support arm wheel		kg	330/687/522
Wheels	3.1	Drive/castor/fork wheel			Friction/Vulkollan®//Vulkollan®
	3.2	Wheel size, front		mm	Ø 230
	3.3	Wheel size, rear		mm	Ø 140/ Ø 85
	3.4	Additional wheel size		mm	Ø 125
	3.5	Wheels, number front/rear (x=driven wheels)			1x + 2 / 2 or 4
	3.6	Track width, front	b ₁₀	mm	585
	3.7	Track width, rear	b ₁₁	mm	985*
Dimensions	4.2	Height, mast lowered	h ₁	mm	1946
	4.3	Free lift	h ₂	mm	1666
	4.4	Lift	h ₃	mm	4060
		Lift height	h ₂₃	mm	4100
	4.5	Height, mast extended	h ₄	mm	5056
	4.8	Stand height (optional platform)	h ₇	mm	190
	4.9	Height of tiller arm in drive position, min./max.			
		highest setting	h ₁₄	mm	1201/1413
		lowest setting	h ₁₄	mm	1101/1313
	4.10	Height of support arm	h ₁₀	mm	140 or 93
	4.15	Height, fork lowered	h ₁₃	mm	50
	4.19	Overall length			
		platform up	l ₁	mm	2115
		platform down	l ₁	mm	2548
	4.20	Length to face of forks			
		platform up	l ₂	mm	965
		platform down	l ₂	mm	1398
	4.21	Overall width	b ₁ / b ₂	mm	790/1172*
	4.22	Fork dimensions	s/e/l	mm	40/100/1150
	4.25	Width over forks	b ₅	mm	250-890
4.26	Distance between support arms	b ₄	mm	900*	
4.32	Ground clearance, centre of wheelbase	m ₂	mm	40/32,5	
4.33	Aisle width for pallets 1000x1200 crossways				
	platform up	A _{st}	mm	2594	
	platform down	A _{st}	mm	3044	
4.34	Aisle width for pallets 800x1200 lengthways				
	platform up	A _{st}	mm	2473	
	platform down	A _{st}	mm	2923	
4.35	Turning radius				
	platform up	W _a	mm	1677	
	platform down	W _a	mm	2127	
Performance data	5.1	Travel speed, with/without load			
		6 km/h version	km/h	6,0/6,0	
		8 km/h version	km/h	7,0/8,0	
	5.2	Lift speed, with/without load		m/s	0,17/0,33
	5.3	Lowering speed, with/without load		m/s	0,45/0,45
	5.8	Max. gradeability, with/without load ¹⁾		%	8/12
5.9	Acceleration time (over 10 m)		s	7,1	
5.10	Service brake			Electromagnetic	
Electric motor	6.1	Drive motor rating (S2 60min)			1,8
	6.2	Lift motor rating (S3 15%)		kW	3
	6.4	Battery voltage, nominal capacity K5		V/Ah	24/300
	6.5	Battery weight		kg	195-270
	6.6	Energy consumption acc to VDI cycle		kWh/h	1,078
	Others	8.1	Type of drive control		
8.4		Sound level at the driver's ear according to EN 12 053		dB (A)	66

1) Measured according to company standard.

*) Further alternatives are available and will produce other values.

Data is based on standard truck and small battery.

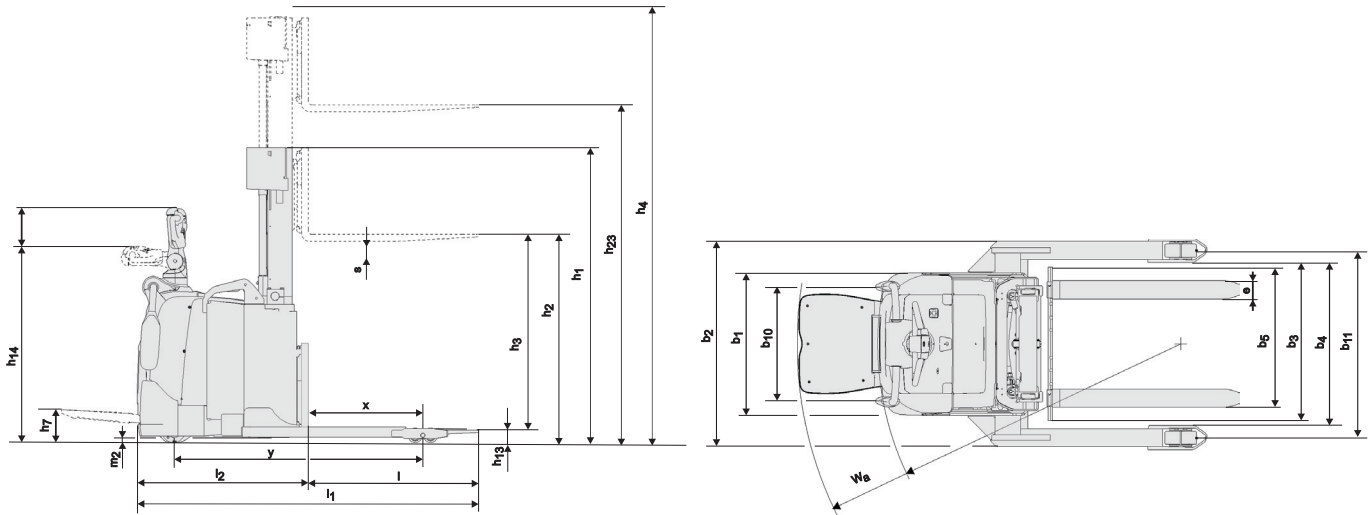
All data are based on table configuration. Other configurations may give other values. Truck performance and dimensions are nominal and subject to tolerances. BT products and specifications are subject to change without notice.

Battery dependent dimensions

Dimensions		Battery		SPE140S		SPE140S with backrest	
				Lift out		Lift out	
				S	L	S	L
1.9	Wheelbase	y	mm	1454	1551	1454	1551
4.19	Overall length						
	platform up	l_1	mm	2115	2212	—	—
	platform down	l_1	mm	2548	2645	2562	2659
4.20	Length to face of forks						
	platform up	l_2	mm	965	1062	—	—
	platform down	l_2	mm	1398	1495	1412	1509
4.33	Aisle width for pallets 1000x1200 crossways						
	platform up	A_{st}	mm	2594	2691	—	—
	platform down	A_{st}	mm	3044	3141	3219	3316
4.34	Aisle width for pallets 800x1200 lengthways						
	platform up	A_{st}	mm	2473	2570	—	—
	platform down	A_{st}	mm	2923	3020	3098	3195
4.35	Turning radius						
	platform up	W_a	mm	1677	1774	—	—
	platform down	W_a	mm	2127	2224	2302	2399
6.4	Battery voltage, nominal capacity K_5		V/Ah	24/300	24/500	24/300	24/500
6.5	Battery weight, min.—max.		kg	195-270	345-403	195-270	345-403

Mast dimensions

Mast			Duplex Tele Panoramic View					Duplex HiLo					Triplex HiLo							
SPE140S	h_{23}	Lift height ($h_{13}+h_3$)	mm	2300	2750	3250	3650	4100	2300	2450	2750	3250	3650	4100	3650	3900	4100	4450	4750	5350
	h_3	Lift	mm	2260	2710	3210	3610	4060	2260	2410	2710	3210	3610	4060	3610	3860	4060	4410	4710	5310
	h_1	Height, mast lowered	mm	1652	1877	2127	2327	2552	1652	1727	1877	2127	2327	2552	1796	1879	1946	2062	2162	2362
	h_2	Free lift, ground to top of forks	mm	—	—	—	—	—	1354	1430	1580	1830	2030	2254	1516	1598	1666	1782	1882	2082
	h_4	Height, mast extended	mm	2892	3342	3842	4242	4692	2891	3041	3341	3841	4241	4691	4218	4467	4668	5016	5316	5916



Truck features:

- BT Powertrak traction system
- Optimised Truck Performance
- Fingertip controls
- Electronic braking system
- Electronic speed control
- Operator safety
- Storage compartments
- Automatic switch-off
- Programmable performance
- Easy access for maintenance
- Sensilift
- Toyota I_site: truck fleet management system (option)
- Hydraulic oil for low temperatures (option)

